

(12) **United States Design Patent**
Zhao

(10) **Patent No.:** **US D1,021,764 S**
(45) **Date of Patent:** **** Apr. 9, 2024**

- (54) **SOIAR POWERED LAMP**
- (71) Applicant: **HongChun Zhao, ShenZhen (CN)**
- (72) Inventor: **HongChun Zhao, ShenZhen (CN)**
- (**) Term: **15 Years**
- (21) Appl. No.: **29/804,318**
- (22) Filed: **Aug. 19, 2021**
- (51) **LOC (14) Cl.** **13-02**
- (52) **U.S. Cl.**
USPC **D13/102**
- (58) **Field of Classification Search**
USPC D13/101, 102, 103, 110, 118, 133, 182,
D13/184, 199; D26/63, 67, 68, 71
CPC Y02E 10/40; Y02E 10/44; Y02E 10/50;
Y02E 10/52; Y02E 10/542; Y02E 10/544;
F24J 2/38; F24J 2/0472; F24J 2/542;
H01L 31/00; H01L 31/042; H01L 31/045;
H01L 31/048; H01L 31/049; H01L
31/052; H01L 31/184; H01L 31/0232;
H01L 31/0508; H01L 31/0512; H01L
31/0543; H01L 31/02013; H01L 31/1876;
H01L 51/0061
- See application file for complete search history.

- D976,464 S * 1/2023 Nobes D26/67
D979,551 S * 2/2023 Hill D13/102
D989,271 S * 6/2023 Amade D23/382
D992,498 S * 7/2023 Liu D13/102
D1,001,338 S * 10/2023 Nobes D26/85
(Continued)

OTHER PUBLICATIONS

Solar lamp. (Design—© Questel) orbit.com. [Online PDF compilation of references] 66 pgs. Print Dates Range Apr. 6, 2023-Jun. 24, 2023 [Retrieved Dec. 12, 2023].*
(Continued)

Primary Examiner Garth Rademaker
Assistant Examiner Suzanne E. Tisdell
(74) *Attorney, Agent, or Firm* iPA & iPM

(57) **CLAIM**

The ornamental design for a solar powered lamp, as shown and described.

DESCRIPTION

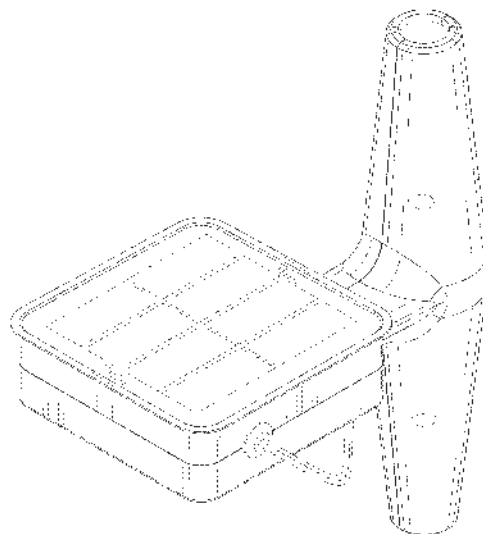
FIG. 1 is a perspective view from above of a solar powered lamp showing my new design;
FIG. 2 is a perspective view of the lamp from below;
FIG. 3 is a front view thereof;
FIG. 4 is a back view thereof;
FIG. 5 is a left side view thereof;
FIG. 6 is a right side view thereof;
FIG. 7 is a top view thereof;
FIG. 8 is a bottom view thereof; and
FIG. 9 is a perspective view of the lamp, anchored onto a post, with a first attachment atop; and
FIG. 10 is a perspective and front view of the lamp, anchored onto an extendable post, with its solar unit in a detached manner, and with a second attachment atop.
The broken lines illustrate portions of the solar powered lamp that form no part of the claimed design.

1 Claim, 9 Drawing Sheets

(56) **References Cited**

U.S. PATENT DOCUMENTS

- | | | | |
|--------------|---------|----------------|---------|
| D595,885 S | 7/2009 | Daidone et al. | |
| D810,342 S | 2/2018 | Chen | |
| D864,457 S | 10/2019 | Tang | |
| D869,041 S | 12/2019 | Yan | |
| D884,603 S | 5/2020 | Xie | |
| D951,857 S * | 5/2022 | Wang | D13/102 |
| D952,549 S * | 5/2022 | Liu | D13/102 |
| D952,550 S * | 5/2022 | Liu | D13/102 |
| D957,319 S * | 7/2022 | Qu | D13/102 |
| D958,060 S * | 7/2022 | Qu | D13/102 |
| D958,729 S * | 7/2022 | Xiong | D13/102 |
| D964,263 S * | 9/2022 | Sziszak | D13/102 |
| D974,281 S * | 1/2023 | Ruan | D13/102 |



(56)

References Cited

U.S. PATENT DOCUMENTS

2012/0206276 A1 8/2012 Cai

OTHER PUBLICATIONS

2Pcs Rose Flowers Solar Pathway LED Light for Garden Decor. Before Sep. 14, 2022. Bed Bath and Beyond. <https://www.bedbathandbeyond.com/Lighting-Ceiling-Fans/2Pcs-Rose-Flowers-Solar-Pathway-LED-Light-for-Garden-Decor-Pink/35464722/product.html?option=68017626&recalg=995,988,993,994&recset=9349666c-eaf3-42c5-aaac-12>.^{*}

TakmeEuro Star Solar Lights Garden Outdoor, Waterproof Metal Decorative Stakes for Walkway, Yard, Lawn, Patio. 2019. Ben Pls Shop. <https://benplshop.bigfestassl.com/content/?c=solar+star+garden+stakes&id=6>.[#]

Lotus Flower Solar Garden Stake. Before Jul. 2023. Plow and Hearth. https://www.plowhearth.com/lotus-flower-solar-garden-stake/p/57275+brz?aff=6443&aff=6443&utin_campaign=pinx_shopping&gad_source=1&gclid=CjwKCAiApuCr3hAuliwA8VJ6Jh5ahml-vrafozaPKY5cXXN5iW7HSu3wUv9ZPdxHDg1o1R1ve-2-IRhoC1IUQAvD_BwE.[#]

[#] cited by examiner

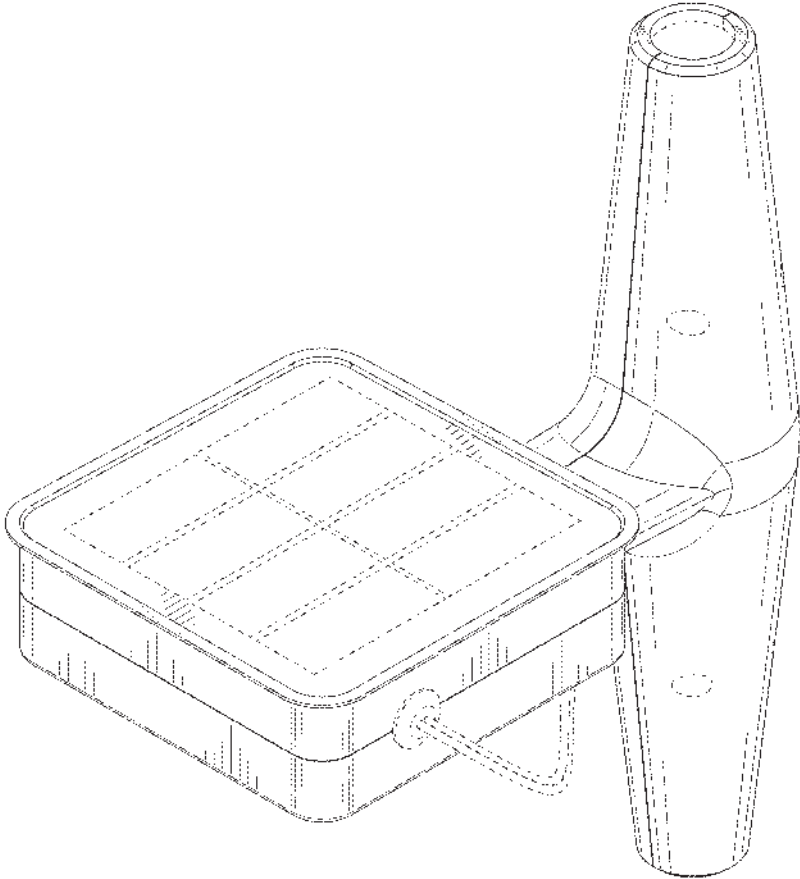


FIG. 1

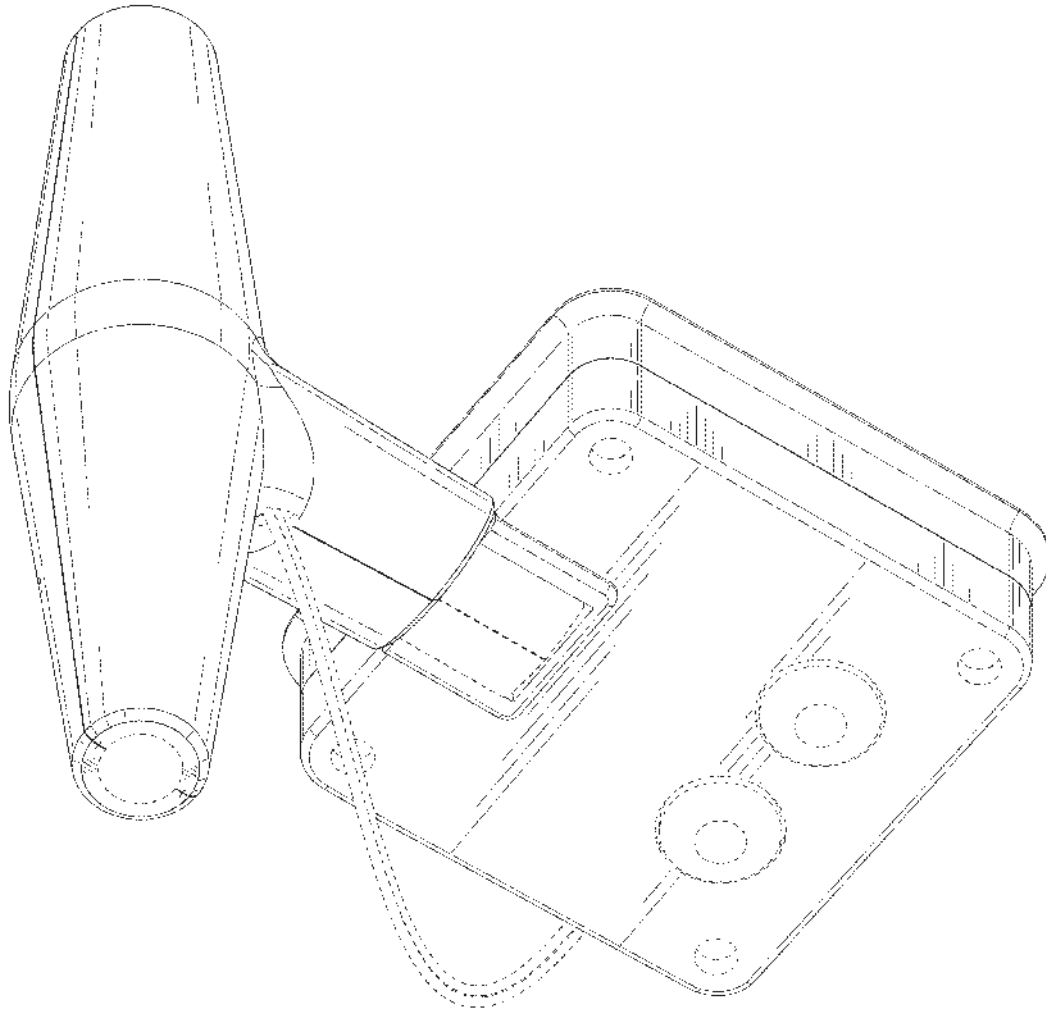


FIG. 2

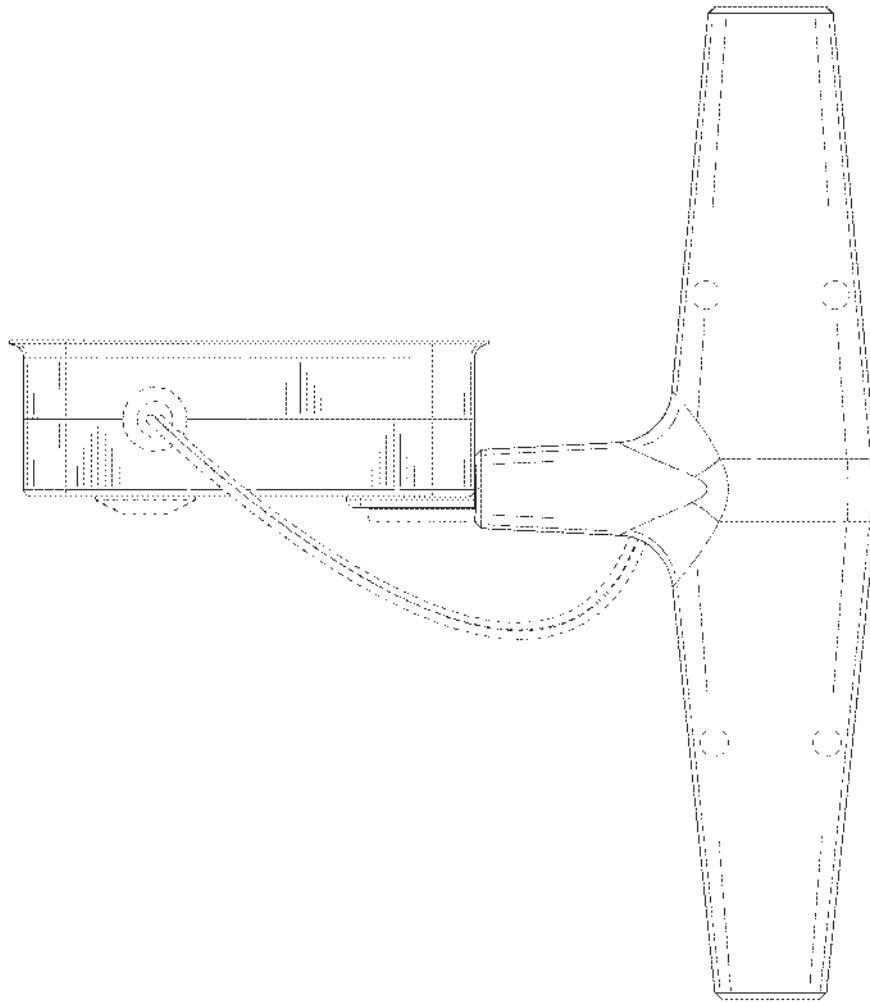


FIG. 3

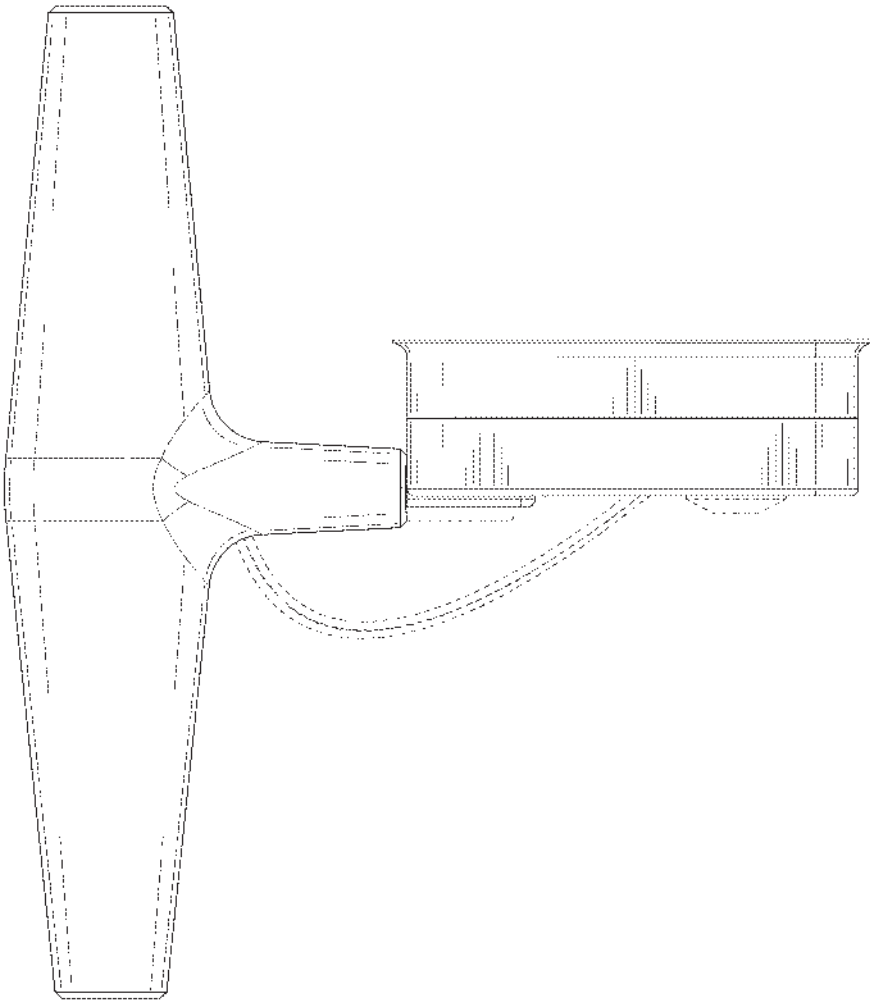


FIG. 4

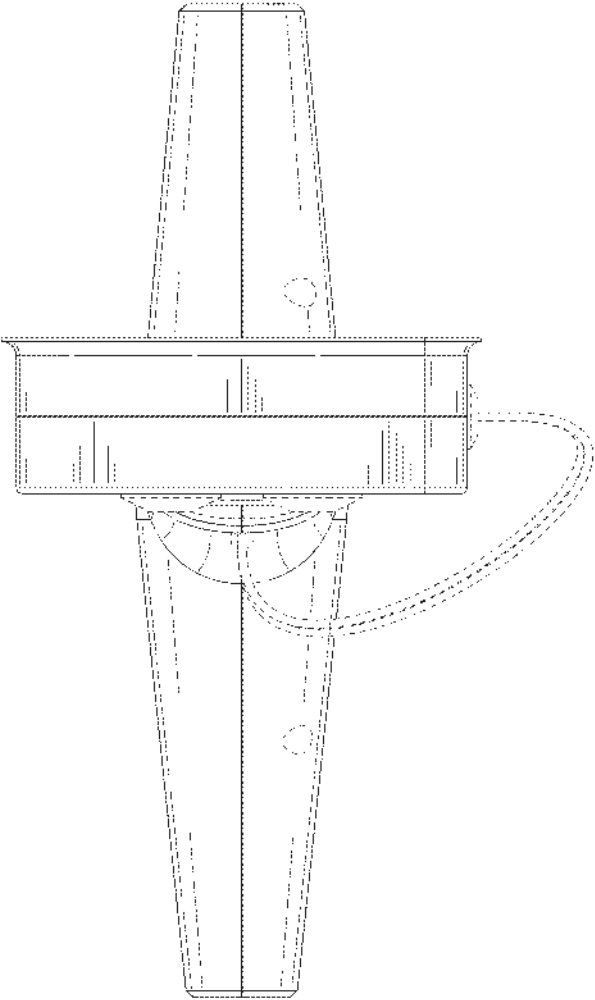


FIG. 5

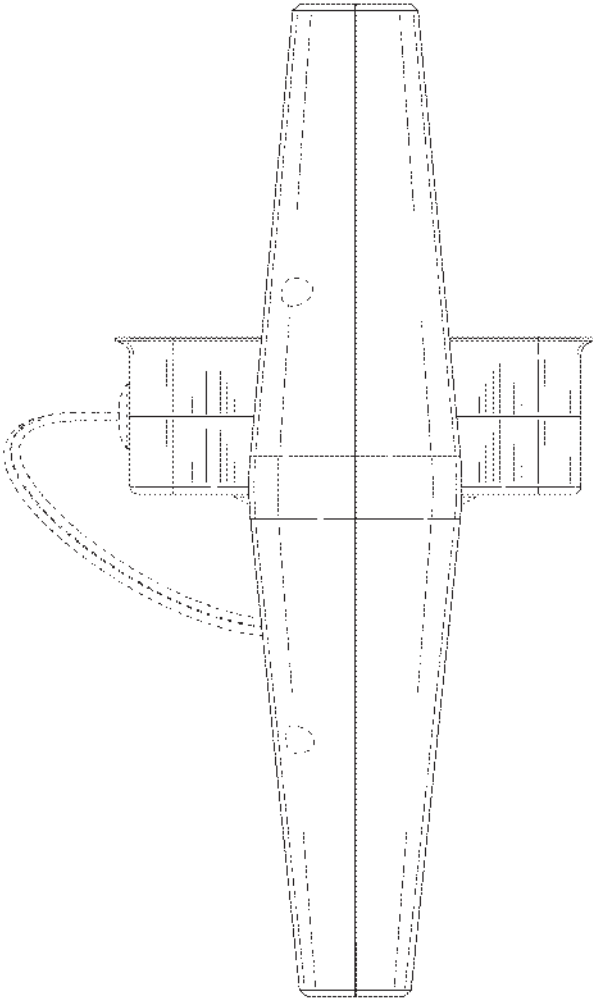


FIG. 6

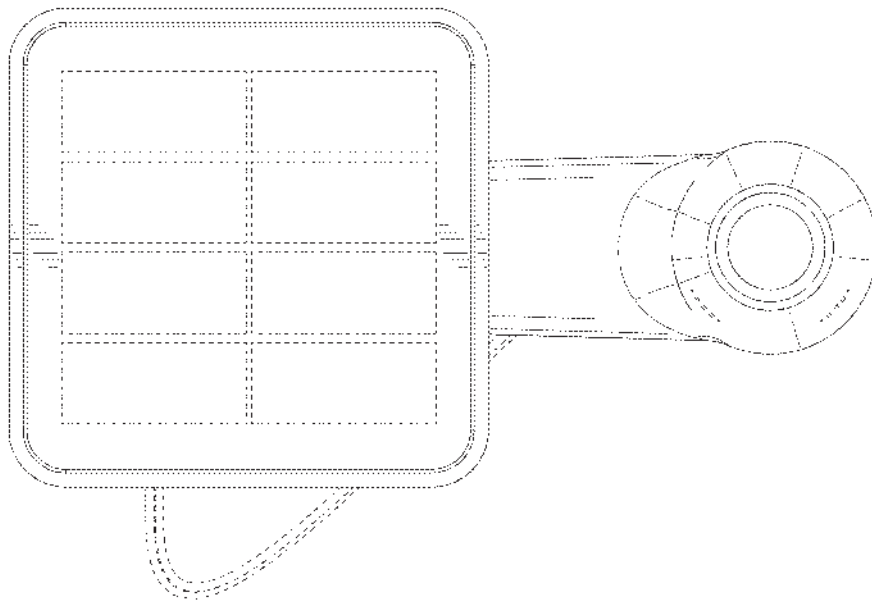


FIG. 7

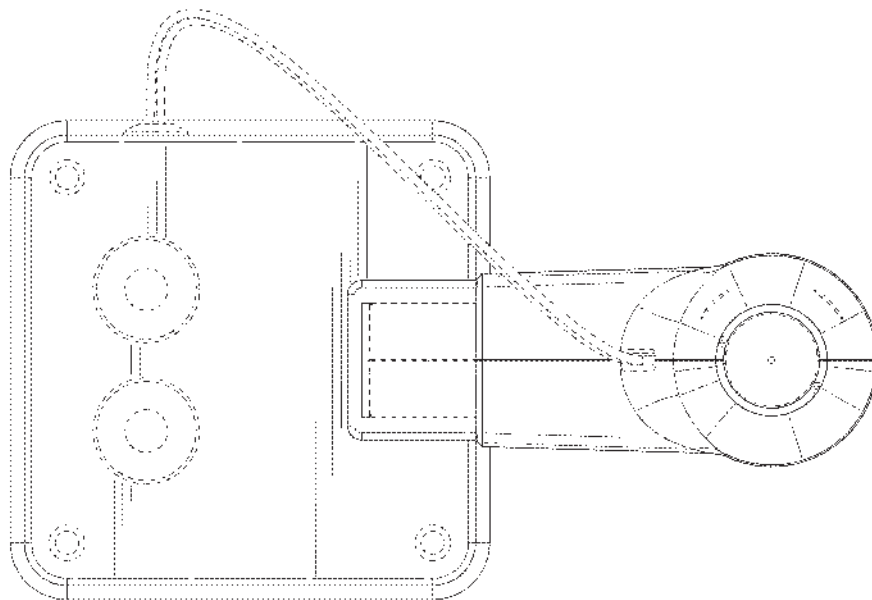


FIG. 8

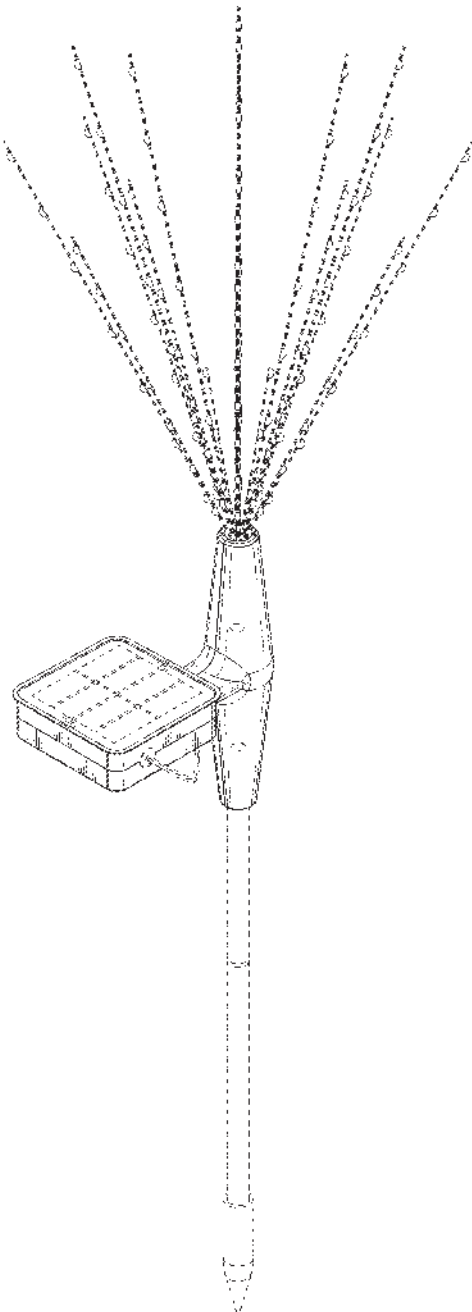


FIG. 9

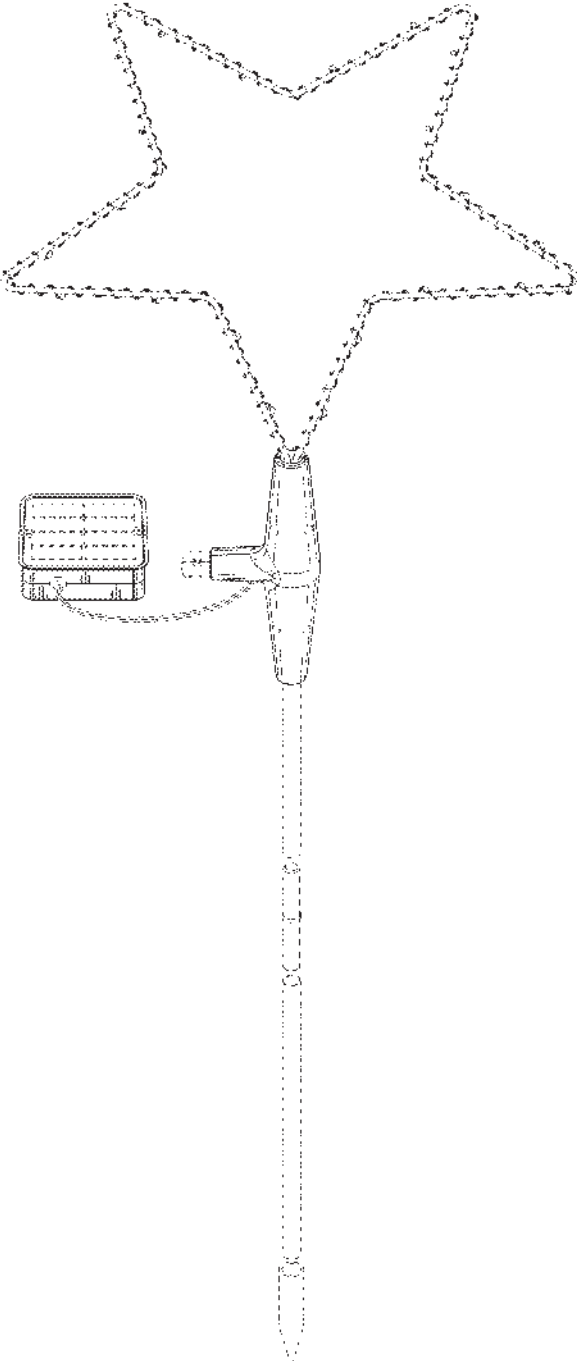


FIG.10