



US0D1010864S

(12) **United States Design Patent**
Zhao

(10) **Patent No.:** **US D1,010,864 S**

(45) **Date of Patent:** **** Jan. 9, 2024**

(54) **LAMP BEAD**

(71) Applicant: **HongChun Zhao, Shen/Zhen (CN)**

(72) Inventor: **HongChun Zhao, Shen/Zhen (CN)**

(***) Term: **15 Years**

(21) Appl. No.: **29/813,425**

(22) Filed: **Oct. 28, 2021**

(51) **LOC (14) CL.** **26-04**

(52) **U.S. CL.**
USPC **D26/1**

(58) **Field of Classification Search**
USPC D26/1-3, 24, 25, 72, 75, 78, 80, 84, 118,
D26/124, 138; D13/133, 180, 182
CPC H01J 5/48; H01J 5/16; H21K 9/20; F21S
4/00; F21S 4/20
See application file for complete search history.

(56) **References Cited**

U.S. PATENT DOCUMENTS

D243,933 S *	4/1977	Johns	D10/111
6,371,637 B1	4/2002	Atchinson et al.	
6,566,824 B2	5/2003	Panagotacos et al.	
D663,048 S *	7/2012	Chen	D26/1
D697,646 S *	1/2014	He	D26/24
D720,307 S	12/2014	Freeman	
D768,892 S *	10/2016	Lockart	D26/25
D825,793 S	8/2018	Lentz et al.	
D841,876 S *	2/2019	Huang	D26/138
D843,612 S *	3/2019	Hodohara	D26/1
D858,809 S *	9/2019	Kang	D26/24
D863,595 S	10/2019	Liao	
D863,606 S	10/2019	Ou	
D867,627 S *	11/2019	Pisupati	D26/25
D873,445 S	1/2020	Chen	
D888,293 S	6/2020	Xie	
D900,356 S *	10/2020	Zhu	D26/1
D910,890 S	2/2021	Yang	
D925,077 S	7/2021	Yang	

D932,669 S	10/2021	Zhao	
D947,418 S *	3/2022	He	D26/1
D947,419 S *	3/2022	He	D26/1

(Continued)

OTHER PUBLICATIONS

Led Lamp Bulb for LED Stage Lights, available in Amazon.com, date first available Dec. 17, 2020 [online], [site visited Jun. 13, 2023], Available from the internet URL: <https://www.amazon.com/Pack-3IN1-Beads-Stage-Lights/dp/B08QV1QQ43?th=1> (Year: 2020).*

(Continued)

Primary Examiner — Kathleen L. Jones
Assistant Examiner — Jasmine L. Comedy
(74) *Attorney, Agent, or Firm* — iPA & iPM

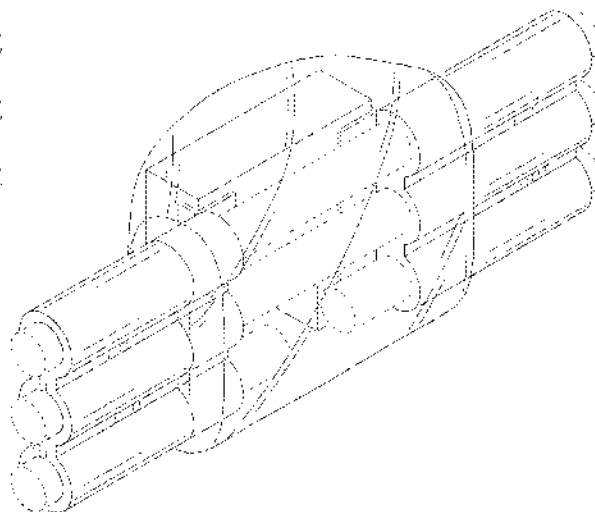
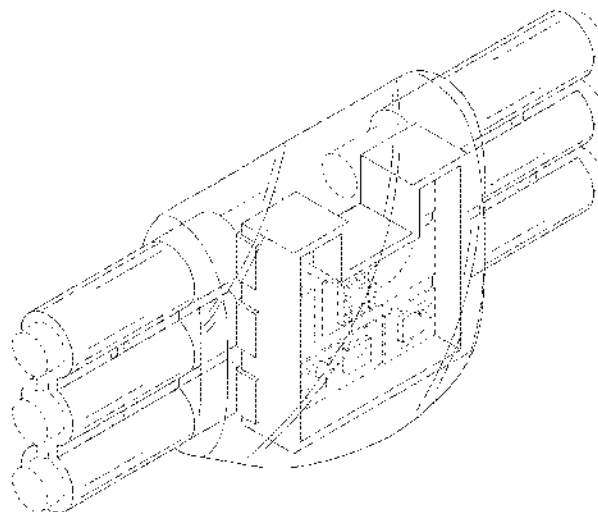
(57) **CLAIM**

The ornamental design for a lamp bead, as shown and described.

DESCRIPTION

FIG. 1 is a perspective view of a lamp bead showing my new design;
FIG. 2 is a perspective view of the lamp bead from behind;
FIG. 3 is a front view thereof;
FIG. 4 is a back view thereof;
FIG. 5 is a left side view thereof;
FIG. 6 is a right side view thereof;
FIG. 7 is a bottom view thereof;
FIG. 8 is a top view thereof; and
FIG. 9 is another perspective view thereof shown in a broken line environment of use forming no part of the claimed design; and,
FIG. 10 is a rear perspective view thereof.
Broken lines are used to illustrate portion(s) of the lamp bead or environmental subject matter that form no part of the claimed design.

1 Claim, 7 Drawing Sheets



(56)

References Cited

U.S. PATENT DOCUMENTS

D990,724 S * 6/2023 Zhao D26/25
D995,829 S * 8/2023 Huasheng D26/25
2012/0039070 A1* 2/2012 Shen F21S 4/10
362:249.02
2018/0340676 A1 11/2018 Tsai

OTHER PUBLICATIONS

SMD LED Chip Lamp Beads, available in Amazon.com, date first available Nov. 12, 2019 [online], [site visited Jun. 13, 2023], Available from the internet URL: <https://www.amazon.com/Grumps-grocery-10PCS-White-100-110LM/dp/B081CV9LRC> (Year: 2019).*
Song, Yujia. CN-registration No. 306108582, Published at Orbit, publication date Oct. 16, 2020. Site visited Jun. 13, 2023. Available from Internet. (Year: 2020).*

* cited by examiner

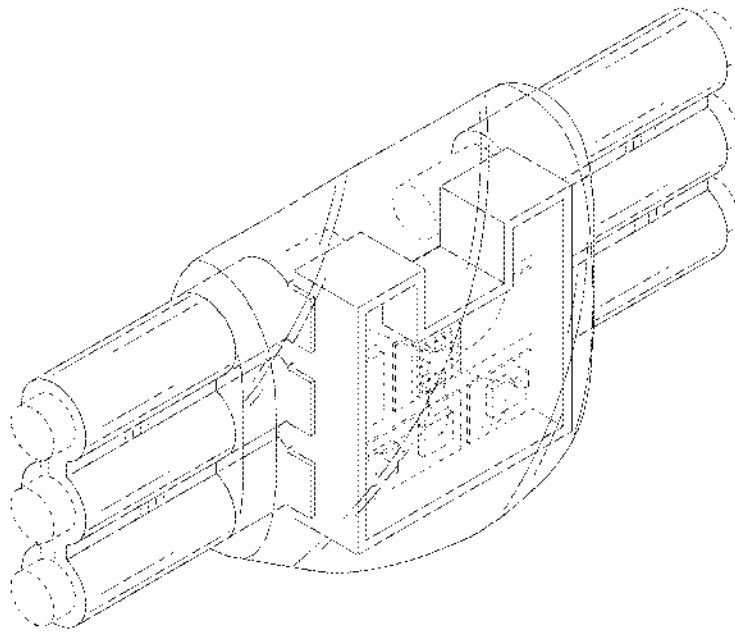


FIG. 1

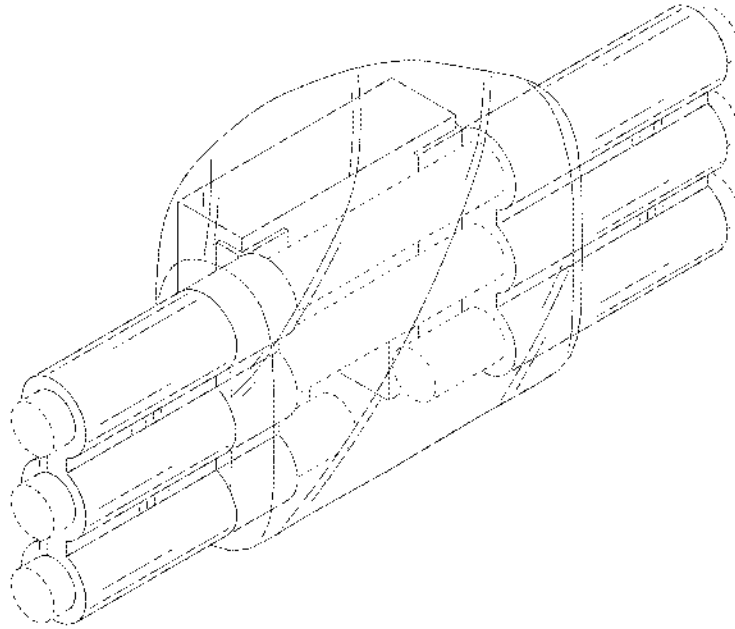


FIG. 2

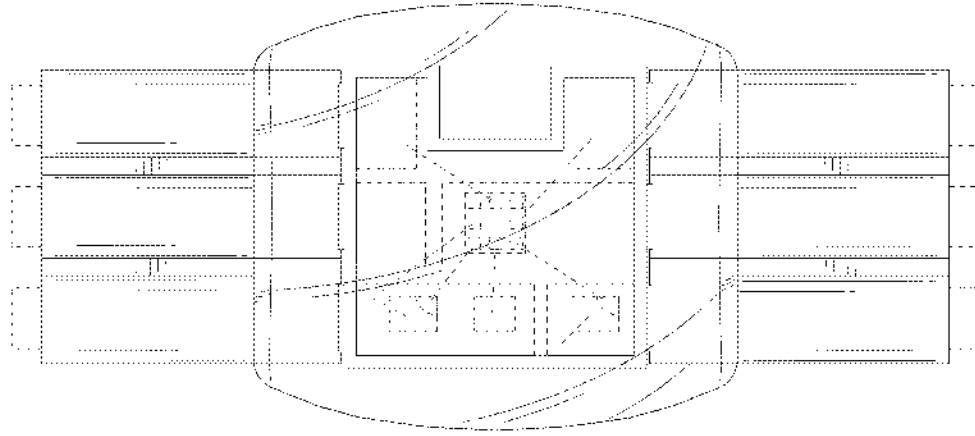


FIG. 3

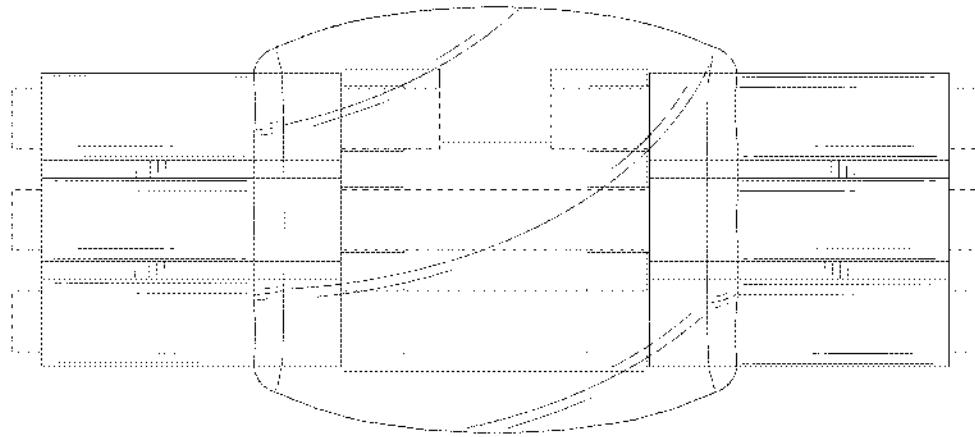


FIG. 4

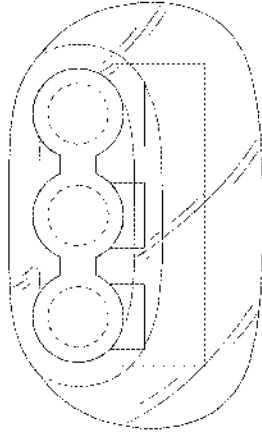


FIG. 5

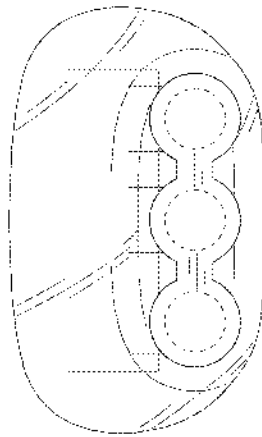


FIG. 6

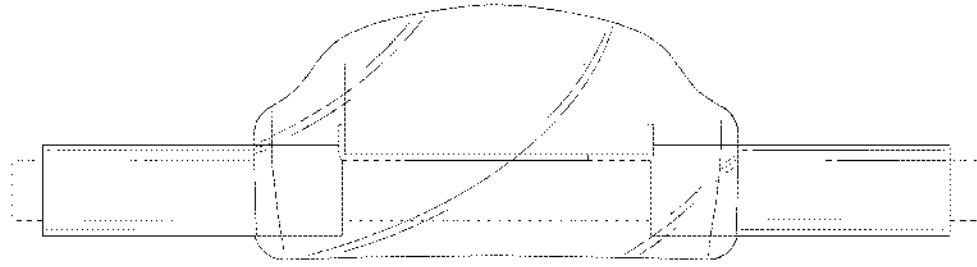


FIG. 7

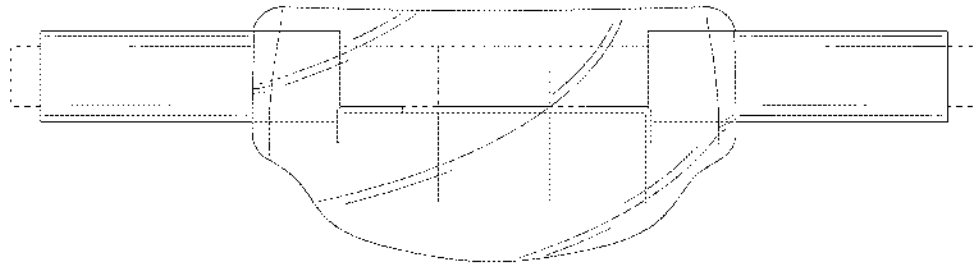


FIG. 8

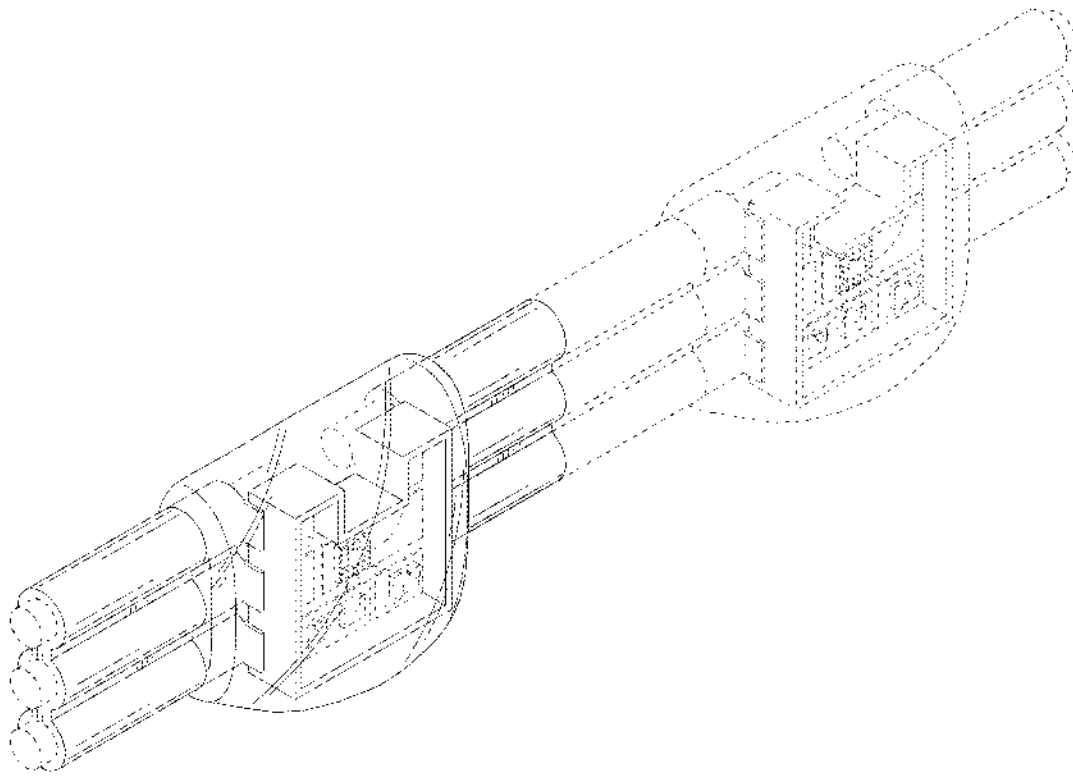


FIG. 9

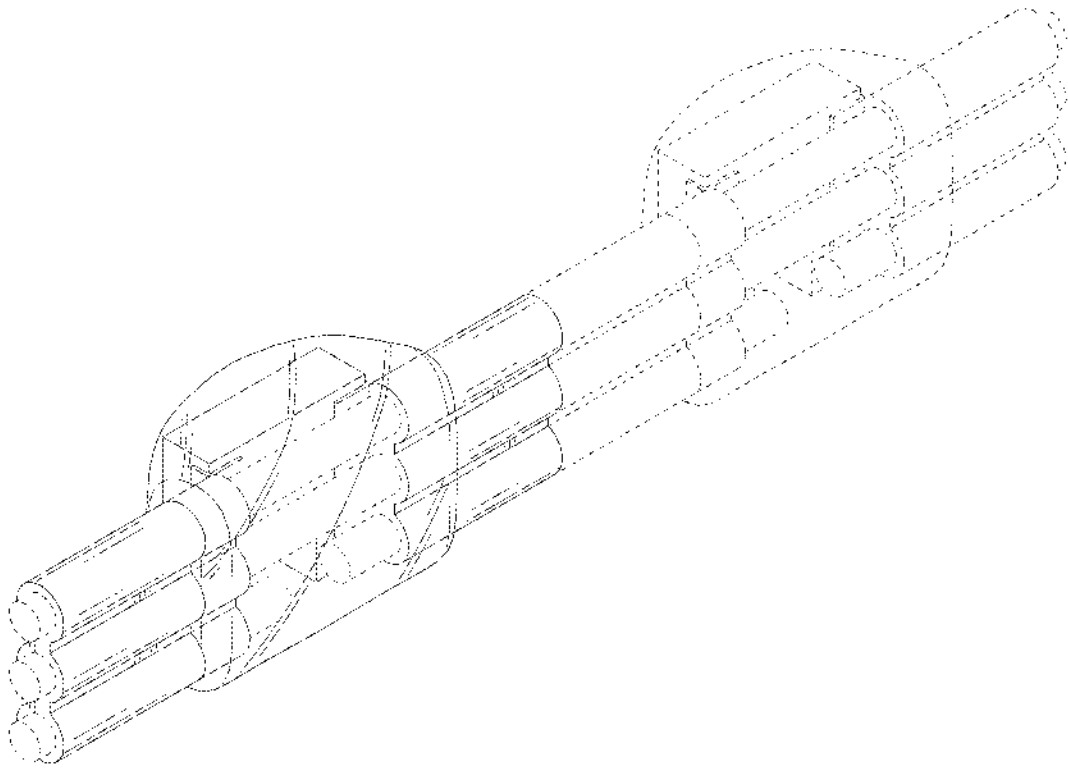


FIG.10